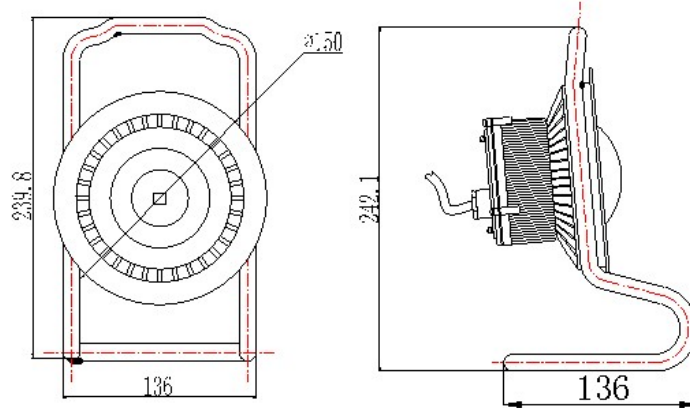


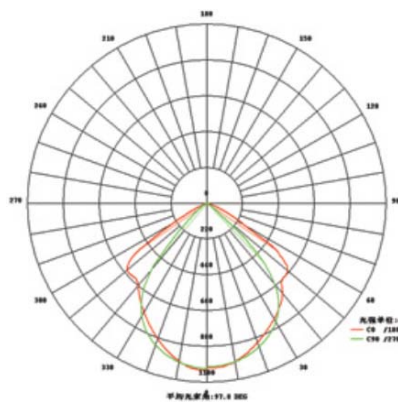
High power LED moveable working lamp

MYD008-10W

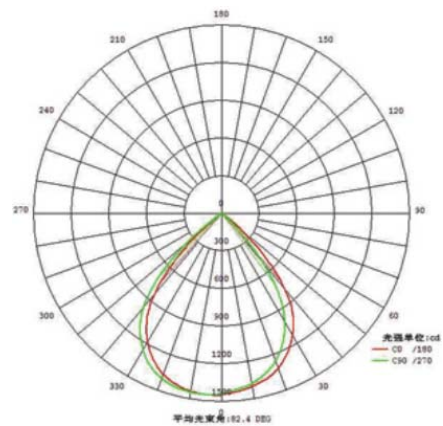


Light Distribution Curve

◆ ①



②



Technical parameters

Item \ Mode	Mode MYD008-10W
Input Voltage	AC 85~265V
Power Frequency Range	47~63Hz
Power Factor(PF)	>0.95
Total Harmonic Distortion	<5%
Working Voltage	DC12V
LED Power Consumption	10W
System Consumption	11W
LED Luminous Efficiency	≥80Lm/W
LED Initial Flux	≥800Lm
Lamp's Luminous Efficiency(%)	≥94%
Color Temperature	3000K~7000K
Color Rendering Index(CRI)	Ra>80
Beam Angle	20°~120°
Junction Temperature(TJ)	<70℃
Working Environment	working temperature -40℃~60℃;working humidity 0~100%
IP Rating	IP67
Working Life	>50000hrs
Net Weight	1.8kg
Packaging Size	27*16*29cm