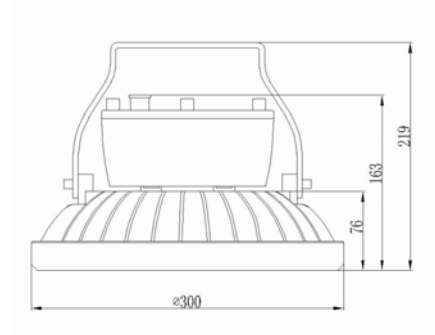




Trading Co., Ltd.

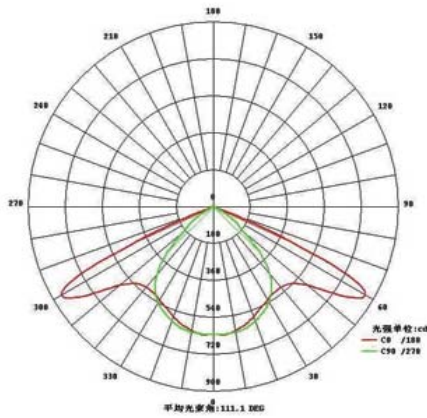
High power LED tunnel lamp

Mode: MS-90W

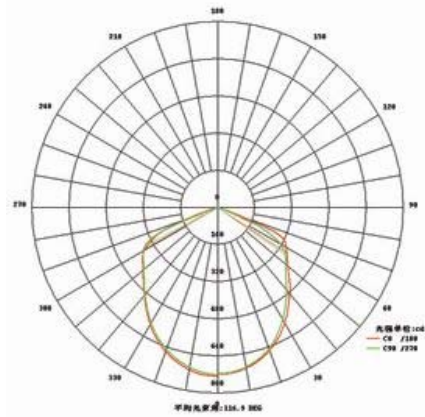


◆ Light Distribution Curve

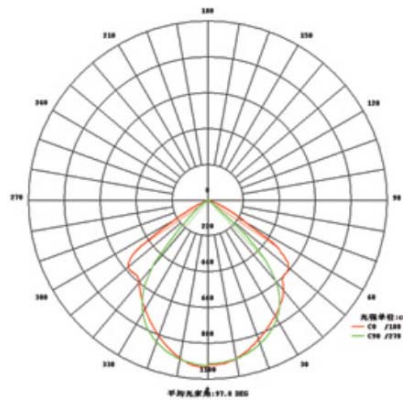
◆ ①



②



③



Technical parameters

Item	Mode	MS-90W
Input Voltage		AC 85~265V
Power Frequency Range		47~63Hz
Power Factor(PF)		>0.95
Total Harmonic Distortion		<3%
Working Voltage		DC31V
LED Power Consumption		90W
System Consumption		97W
LED Luminous Efficiency		≥80Lm/W
LED Initial Flux		≥7200Lm
Lamp's Luminous Efficiency(%)		≥94%
Maximum. Illumination (E) (The first lens)	3M height	312 Lux
	4M height	173 Lux
	5M height	110 Lux
	6M height	77 Lux
	7M height	56 Lux
	8M height	43 Lux
Effective Illuminated Area (The first lens)	3M height	12*8 m2
	4M height	16*10m2
	5M height	20*13m2
	6M height	24*15m2
	7M height	27*18m2
	8M height	30*20m2
Color Temperature		2500K~7000K
Color Rendering Index(CRI)		Ra>80
Beam Angle		90° ~140°
Junction Temperature(TJ)		<70°C
Working Environment		working temperature -40°C~ 60°C;working humidity 0~100%
IP Rating		IP67
Working Life		>50000hrs
Note: Lens can be changed according to client's specific requirement.		