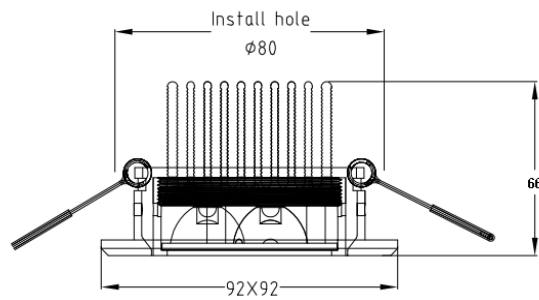


## SS-2006-01B



**CE, RoHS Certified**

Specification	
Items	Parameter
Power	<b>9W – Down light Dimmable</b>
LED Qty / Name	3pcs / Epistar (licensed LED Chips)
(Ra)	≥75
Lifespan	≥50,000 Hours
CCT	6000K, 4500K, 3000K
Lumen Output / Efficiency	6000K = 350lm , 38lm/W 4500K = 330lm , 36lm/W 3000K = 310lm , 34lm/W
Beam Angle	30°, 45°
Product Size (mm)	92*92*H.66
Hole Size (mm)	∅ 80m
Structure	Swing able
Voltage	85~265V AC