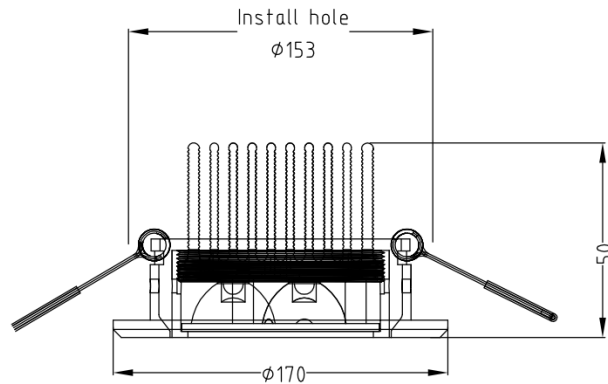


## SS-2009-01



**CE, RoHS Certified**

Specification	
Items	Parameter
Power	<b>18W Down light</b>
LED Qty / Name	9pcs / Epistar (licensed LED Chips)
(Ra)	≥75
Lifespan	≥50,000 Hours
CCT	6000K, 4500K, 3000K
Lumen Output / Efficiency	6000K = 1000lm , 55lm/W 4500K = 950lm , 52lm/W 3000K = 900lm , 50lm/W
Beam Angle	20°
Product Size (mm)	170*H.50
Hole Size (mm)	153
Structure	Swing able
Voltage	85~265V AC